

LED Flat Panel Light (595 x 595mm)

ULFP040A


USHIO

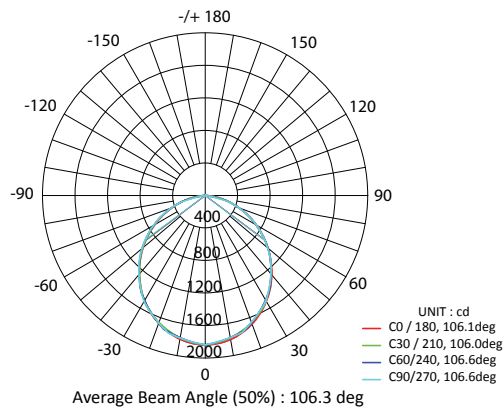
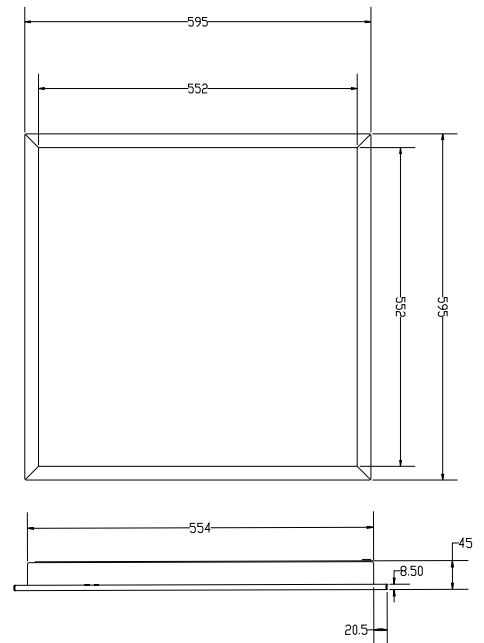
Features

- Material (Body) : Aluminium Frame, PC diffuser
- Lamp : SMD type LED
- Color Rendering : Ra 80
- Voltage : 100V - 265V AC
- Dimmable : 0-10V dimming (Optional)

Equivalent 3x18W	IP rating IP20
LED Type SMD	PF 0.9
Lifespan 35,000 Hours	

System Power : 40W

 120°	ULFP040A/30/04K/C0	3000K	4400lm
	ULFP040A/40/04K/C0	4000K	4800lm
	ULFP040A/60/04K/C0	6000K	4800lm



USHIO

■ USHIO ASIA PACIFIC PTE LTD
28 Genting Lane #05-05 Platinum 28, Singapore 349585
TEL +65 6274-5311 FAX +65 6274-5300
URL www.ushioasiapacific.com

■ USHIO ASIA PACIFIC (Thailand) LTD
Le Concorde Tower, Room 2006 (20F) 202 Rachadapisek Road, Huaykwang,
Bangkok 10310 Thailand
TEL +66 2 694-1440 FAX +66 2 694-1770
URL www.ushioasiapacific.com