

# T5 LED Frosted Tube (Direct AC)

## ULT5 series

**USHIO**

### Features

- Material (Body) : Aluminium and PC Cover
- Lamp : SMD type LED
- Color Rendering : Ra 80
- Voltage : 180V - 240V AC, 50/60 Hz
- Dimmable : No
- Power Factor : >0.95
- Certification : CE Compliant
- Others : No Mercury / No UV / No IR

Equivalent <b>FL Tube</b>	IP rating <b>IP40</b>
LED Type <b>SMD</b>	LED Driver <b>Built-in</b>
Lifespan <b>40,000 Hours</b>	Oper. Temp <b>-20C°~ 45C°</b>
PF <b>0.95</b>	Base <b>G5</b>

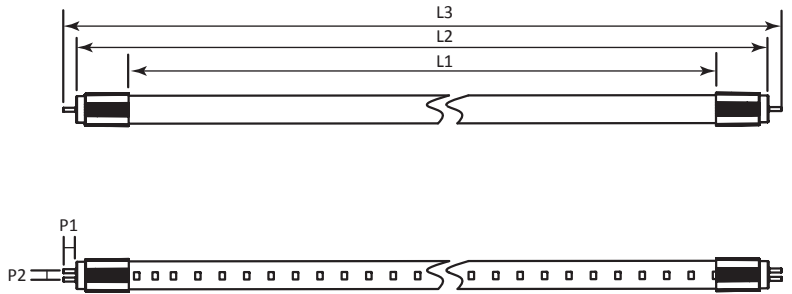
System Power : (Length 600mm - 8W) & (Length 1200mm - 15W)

Tube Length - 600mm

▲ 120°	ULT5008/30/750/C0/F	8W	3000K	750 lm
	ULT5008/42/800/C0/F	8W	4200K	800 lm
	ULT5008/60/800/C0/F	8W	6000K	800 lm

Tube Length - 1200mm

▲ 120°	ULT5015/30/01K/C0/F	15W	3000K	1400 lm
	ULT5015/42/01K/C0/F	15W	4200K	1500 lm
	ULT5015/60/01K/C0/F	15W	6000K	1500 lm



Dimension for 8W

- L1 = 498mm
- L2 = 548mm
- L3 = 562mm
- P1 = 7mm
- P2 = 4.8mm
- Ø = 18.7mm

Dimension for 15W

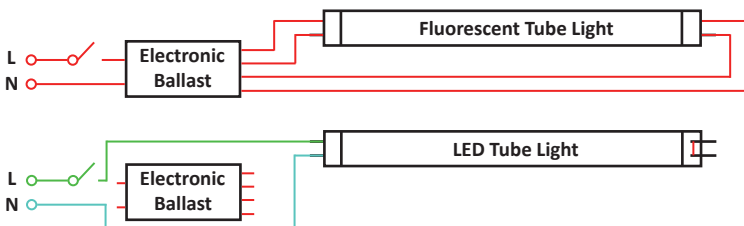
- L1 = 1099mm
- L2 = 1149mm
- L3 = 1163mm
- P1 = 7mm
- P2 = 4.8mm
- Ø = 18.7mm

### Wiring Diagram

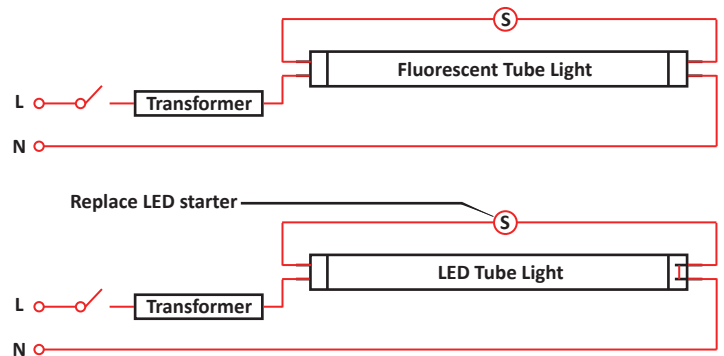
Type A - Direct AC 110V - 240V with tube end marked with L and N.



Type C - Remove ballast and bypass direct as per below drawing



Type B - No rewiring required. Replace with LED starter.



**USHIO**

■ USHIO ASIA PACIFIC PTE LTD  
28 Genting Lane #05-05 Platinum 28, Singapore 349585  
TEL +65 6274-5311 FAX +65 6274-5300  
URL www.ushioasiapacific.com

■ USHIO ASIA PACIFIC (Thailand) LTD  
Le Concorde Tower, Room 2006 (20F) 202 Rachadapisek Road, Huaykwang,  
Bangkok 10320 Thailand  
TEL +66 2 694-1440 FAX +66 2 694-1770  
URL www.ushioasiapacific.com