

LED Modular Luminaire ULML100

USHIO

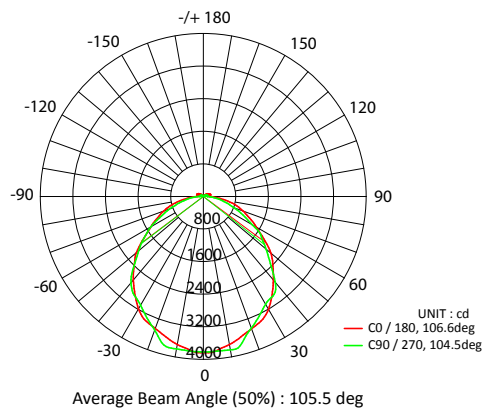
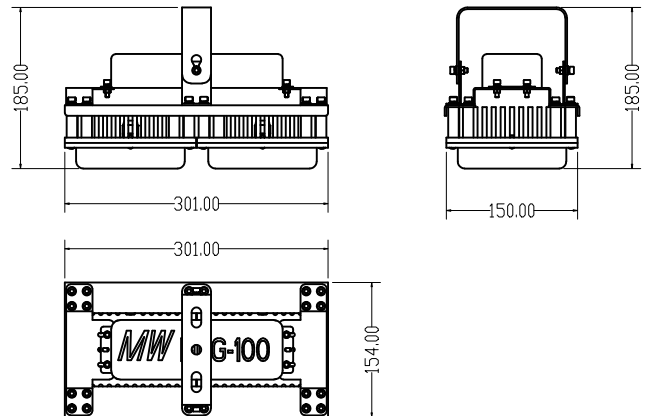
Features

- Mounting Type : Bracket Mounted
- Material (Body) : Cold forge Pure Alum
- Lamp : Nichia SMT LED
- Color Rendering : Ra 80
- Voltage : 100V - 305V AC
- Dimmable : Yes (optional)

LED Type SMT	Equivalent 250W
Lifespan 40,000 Hours	IP rating IP65
LED Driver Ext.	PF 0.96
Oper. Temp -20C°~50C°	

System Power : 100W

▲ 120°	ULML100/40/10K/C0	4000K	10000 lm
	ULML100/50/10K/C0	5000K	10000 lm
	ULML100/57/10K/C0	5700K	10000 lm



USHIO

■ USHIO ASIA PACIFIC PTE LTD
 28 Genting Lane #05-05 Platinum 28, Singapore 349585
 TEL +65 6274-5311 FAX +65 6274-5300
 URL www.ushioasiapacific.com

■ USHIO ASIA PACIFIC (Thailand) LTD
 Le Concorde Tower, Room 2006 (20F) 202 Rachadapisek Road, Huaykwang,
 Bangkok 10320 Thailand
 TEL +66 2 694-1440 FAX +66 2 694-1770
 URL www.ushioasiapacific.com