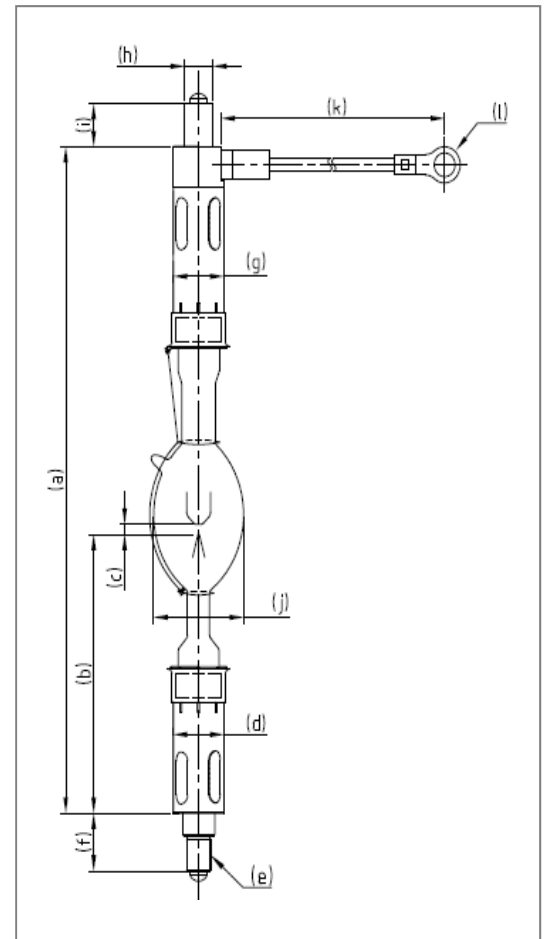


Xenon Lamps for BARCO Digital Cinema Projector

DXL-20BAF/L

Technical Data

Input Power	W	-	2000	
Voltage	V	-	25	
Current	A	-	80	
Operating Range	W/A	-	1400-2000(W)	
Lamp Length	mm	a	294	
LCL	mm	b	123	
Cold Arc Gap	mm	c	4.5	
	Base Diameter	mm (Φ)	d	27
Cathode	Pin Diameter	mm (Φ)	e	M12 × 1.75
	Pin Length	mm	f	14
Anode	Base Diameter	mm (Φ)	g	27
	Pin Diameter	mm (Φ)	h	14
	Pin Length	mm	i	19
Bulb diameter	mm (Φ)	j	55	
Cable length	mm	k	132	
Crimping terminal	mm	l	14-10	



Warranty Hours

DXL-20BAF/L

3200

Cross Reference

Lamp Type	Projector Model
DXL-20BAF/L	DP2K-10S
	DP2K-12C
	DP2K-15C
	DP2K-19B
	DP4K-19B
	DP2K-20C
	DP2K-23B
	DP4K-23B